

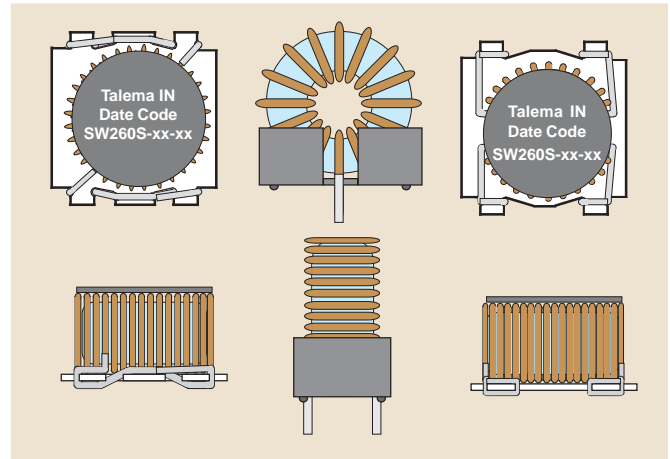


## SW260 Series • Inductors for National's 260kHz Simple Switcher™

Compatible with National Semiconductor's Simple Switcher™  
Part Numbers LM267X-L41 and LM267X-L45 through LM267X-L50

### Features

- High energy storage with minimum saturation
- High stability from no load to full load
- Available in both SMD and THT versions
- Manufactured in ISO-9001:2000 approved facility
- Operating temperature range: -40°C to +130°C



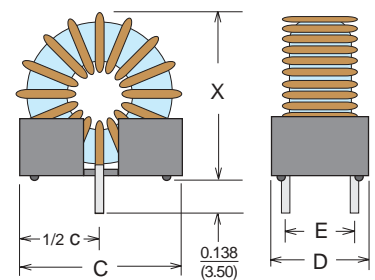
### Electrical Specifications at 25°C ambient

Part Number	National Part Number	Rated Current (I <sub>DC</sub> )	Inductance (μH) ±20%	ET <sub>OP</sub> (V-μSec) Max. @ 260kHz	DCR Nominal (mOhm)	Package Size	
						Package Code	Lead Dia. (mm)
SW260C-4.9-23	LM267X-L41	4.9	22.8	23.3	36	C3	0.80
SW260C-4.3-10	LM267X-L45	4.3	10.2	10.0	26	C1	0.75
SW260C-5.0-15	LM267X-L46	5.0	14.8	17.0	23	C2	0.80
SW260C-5.0-10	LM267X-L47	5.0	10	13.0	25	C2	0.75
SW260C-5.0-50	LM267X-L48	5.0	50	40.0	50	C4	0.90
SW260C-5.0-33	LM267X-L49	5.0	33	36.0	47	C4	0.80
SW260C-5.0-23	LM267X-L50	5.0	23	24.0	26	C3	0.80
SW260S-4.9-23	LM267X-L41	4.9	22.8	23.3	36	S6	
SW260S-4.3-10	LM267X-L45	4.3	10	10.0	26	S4	
SW260S-5.0-15	LM267X-L46	5.0	15	17.0	27	S5	
SW260S-5.0-10	LM267X-L47	5.0	11	13.0	25	S5	
SW260S-5.0-50	LM267X-L48	5.0	52*	40.0	25	S7	
SW260S-5.0-33	LM267X-L49	5.0	36*	36.0	19	S7	
SW260S-5.0-23	LM267X-L50	5.0	24.7*	24.0	13	S7	

\* Note: Series connection with pins 2 - 4 connected

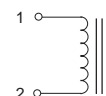
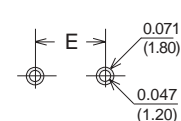
### Type SW260C - Clip Mount

Part Number	Size Code	Dimensions - Inches ±0.01 (mm ±0.25)				
		C	D	E	Coil OD	X = Coil OD +
SW260C-4.3-10	C1	0.580 (14.73)	0.340 (8.64)	0.220 (5.58)	0.605 (15.40)	0.110 (2.80)
SW260C-5.0-15	C2	0.650 (16.50)	0.449 (11.40)	0.299 (7.60)	0.640 (16.26)	0.110 (2.80)
SW260-5.0-10	C2	0.650 (16.50)	0.449 (11.40)	0.299 (7.60)	0.590 (15.00)	0.110 (2.80)
SW260C-4.9-23	C3	0.827 (21.00)	0.449 (11.40)	0.299 (7.60)	0.840 (21.34)	0.110 (2.80)
SW260C-5.0-23						
SW260C-5.0-50	C4	0.949 (24.10)	0.598 (15.20)	0.449 (11.40)	1.240 (31.50)	0.110 (2.80)
SW260C-5.0-33						



Suggested Pad Layout

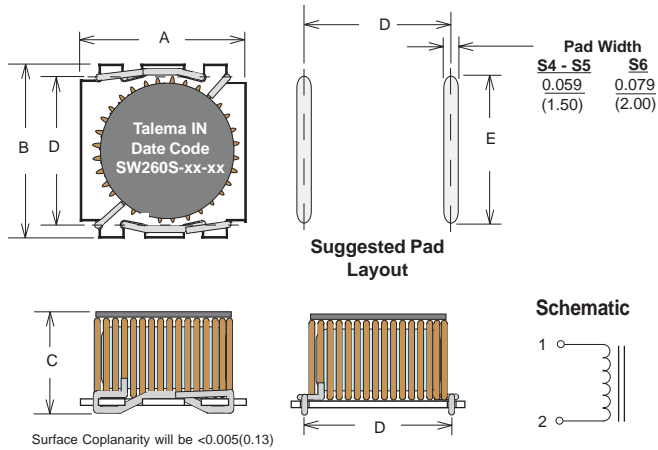
Schematic



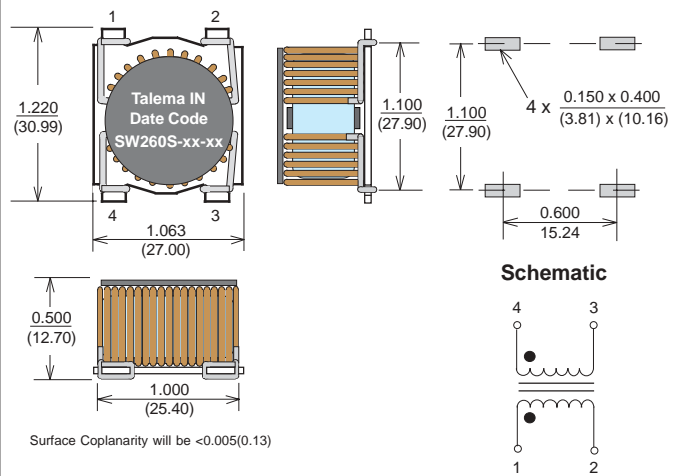
# Mounting Styles • SW260 Series • Low Cost Toroidal Inductors

## Type SW260S - Surface Mount

S-4, S-5, S-6



S-7



Mounting Style	Size Code	Dimensions - Inches $\pm 0.010$ (mm $\pm 0.25$ )				
		A	B	C	D	E
"S" SMD	S4	0.591 (15.0)	0.591 (15.0)	0.315 (8.00)	0.508 (12.9)	0.551 (14.0)
	S5	0.669 (17.0)	0.701 (17.8)	0.390 (9.91)	0.591 (15.0)	0.591 (15.0)
	S6	0.925 (23.5)	0.925 (23.5)	0.496 (12.6)	0.827 (21.0)	0.689 (17.5)

## Sales & Marketing, Design and Manufacturing Facilities

<http://www.talema-nuvotem.com>

**Eastern Europe & Czech Republic**  
NT MAGNETICS s.r.o.  
Chebská 27  
322 00 Plzeň  
Tel: Int. + 420 37 - 744 9303  
Fax: Int. + 420 37 - 744 3697  
Email: talema@talema.cz

**Germany**  
TALEMA ELEKTRONIK GMBH  
Sembdnerstr. 5, Postfach 2523  
82110 Germering  
Tel: Int. + 49 89 - 841 00 - 0  
Fax: Int. + 49 89 - 841 00 25  
Email: info@talema.de

**Ireland**  
NUVOTEM TEO.  
Crolly  
Co. Donegal  
Tel: Int. + 353 74 - 954 8666  
Fax: Int. + 353 74 - 954 8139  
Email: info@nuvotem.com

**India**  
TALEMA ELECTRONIC PVT. LTD.  
Opposite the SIDCO Industrial Estate  
Gins Towers  
4/5S.H/1, Omalur Main Road  
Salem - 636 004, Tamil Nadu  
Tel: Int. + 91 427 - 244 1325  
Fax: Int. + 91 427 - 243 0034  
E-mail: talema@talemaindia.com